



ALTERNATORS

A93/90A

Wound field alternator
13.5 V - 90 A

Description

A compact alternator for sport cars.

Rewound stator with flexible connections to bridge.

Upgraded and ruggedized rectifier bridge to deal with extra power and harsh vibrational environment.

Sealed high speed & quality bearings.

Stiffer brush springs for harsh vibrational environment.

Brackets modified to prevent stator rotation.

The rear bracket can be supplied as shown or rotated by increments of 90°.*

Connection by spade connector or dedicated loom.*

* Contact factory for these options.



Main Features

- 90 A output
- 18000 rpm max speed
- Clockwise rotation
- 2.6 Kg weight

Benefits

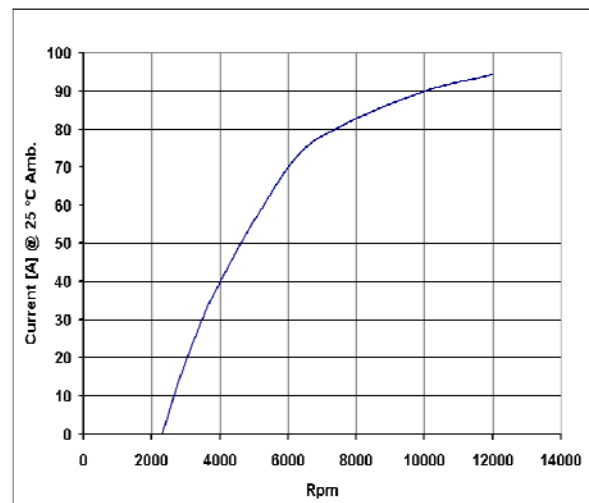
- High output to weight ratio
- Integral voltage regulator

Typical Applications

Touring car

Rally car

Typical Performance

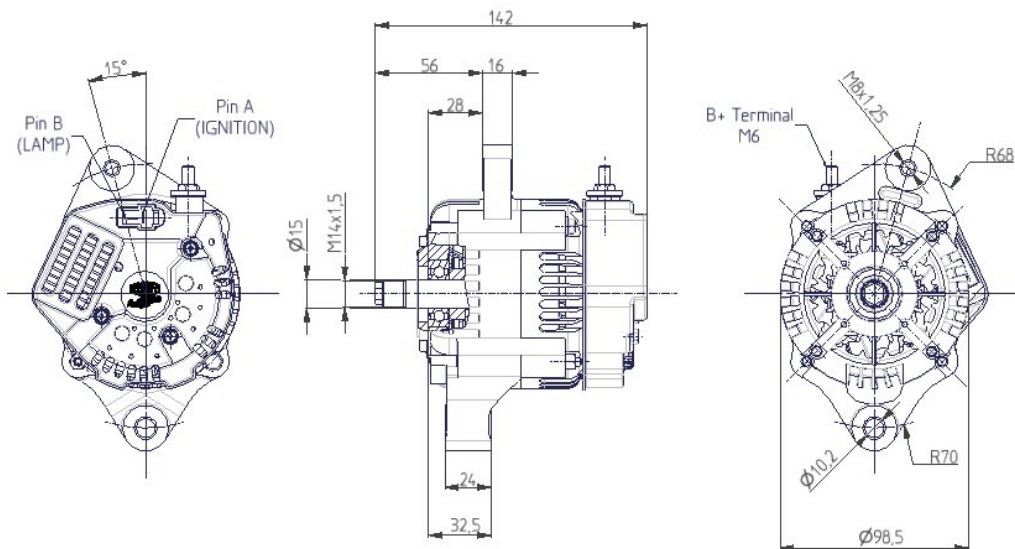


ALTERNATORS

A93/90A

Wound field alternator
13.5 V - 90 A

Dimensions

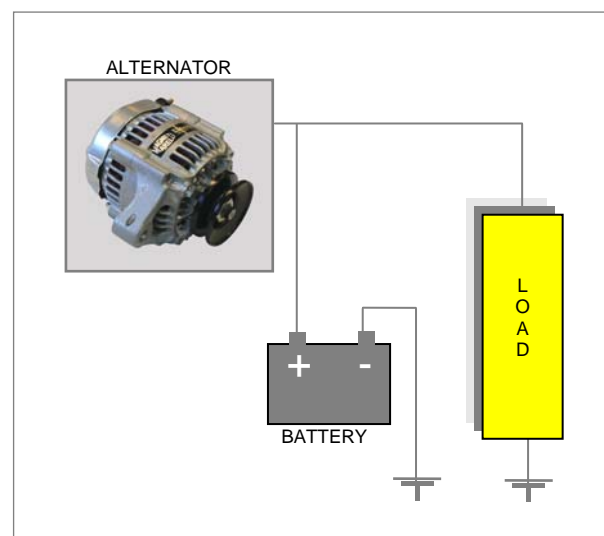


Dimensions in millimetres

Technical Characteristics

Cut in speed.....	2400	rpm
Maximum speed.....	18000	rpm
Rotation.....	Clockwise only	
Operating temperature (ambient).....	Up to 90	°C
Regulated voltage.....	13.5	V
Weight.....	2.6	Kg

Application Schematics



For further information, please contact:



Competition Systems Ltd
Hyjuniper, Long Lane
Shaw, Berkshire
RG14 2TA, UK

Tel. +44 (0)8707 444 666
Fax +44 (0)8707 444 888
mail@competitionsystems.co.uk
http://www.competitionsystems.co.uk

May 2010
rel. 01
page 2 of 2