

# Pressure - 05/01

Automotive 3.0 bar absolute MAP sensor



## Description

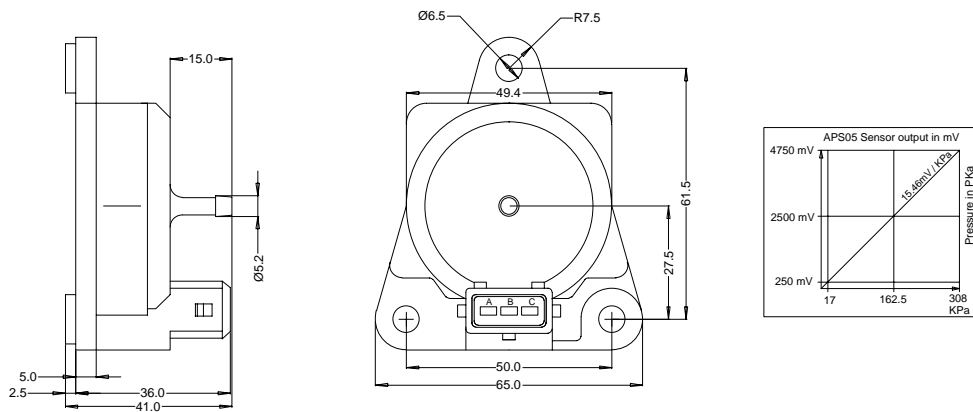
The APS 05 device is an automotive specification absolute pressure sensor for pressure charged engines, often known as a MAP sensor.

Each pressure sensor exploits the piezoresistive properties of silicon devices. The sensing element is a Wheatstone bridge located on a mechanically-shaped silicon chip. A thick film hybrid circuit for signal amplifying is included in the same package. The same circuitry provides thermal compensation and noise reduction.

This sensor is housed in hermetically sealed plastic protective casing



## Dimensions



## Technical Data

### Mechanical Characteristics

Dimensions (maximum).....77,5x65.0x41.0 mm  
 Nozzle diameter .....4.7 mm  
 Weight.....88.0 g  
 Connector.....Mini-Timer 3 way

### Performance

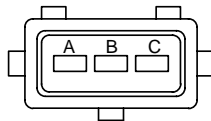
Pressure range: ..... 17 ÷ 308 kPa  
 Operating temperature range..... -30 ÷ 110 °C  
 Response time..... less than 7 ms  
 Over pressure..... 05/01 450 kPa

### Electrical Characteristics

Power supply.....5.00 Vdc ±0.5  
 Output (min pressure) (at 5 Vdc supply) ....0.25 V  
 Output (Full scale) (at 5 Vdc supply) .....4.75 V  
 Protection.....Short circuit

## Electrical connection

PIN	description
A	+ 5 Vdc
B	GND
C	Signal OUT



### Important wiring note:

The connections A, B & C are identified as 1, 2 & 3 on many commercially available minitimer connectors and may also be numerically reversed.

Always check your loom connections against the sensor connector shown here.

## Ordering information

Part No.	Description	Order Code
APS 05	Air Pressure Transducer 308 kPa (3.08 bar max)	215810001101

For further details please contact

Competition Systems Ltd  
 Hyjuniper, Long Lane  
 Shaw, Berkshire,  
 RG14 2TA  
 England

Tel: +44 (0)8707 444666  
 Fax: +44 (0)8707 444888  
[www.competitionssystem.co.uk](http://www.competitionssystem.co.uk)  
[mail@competitionssystem.co.uk](mailto:mail@competitionssystem.co.uk)