

Position - Rotary

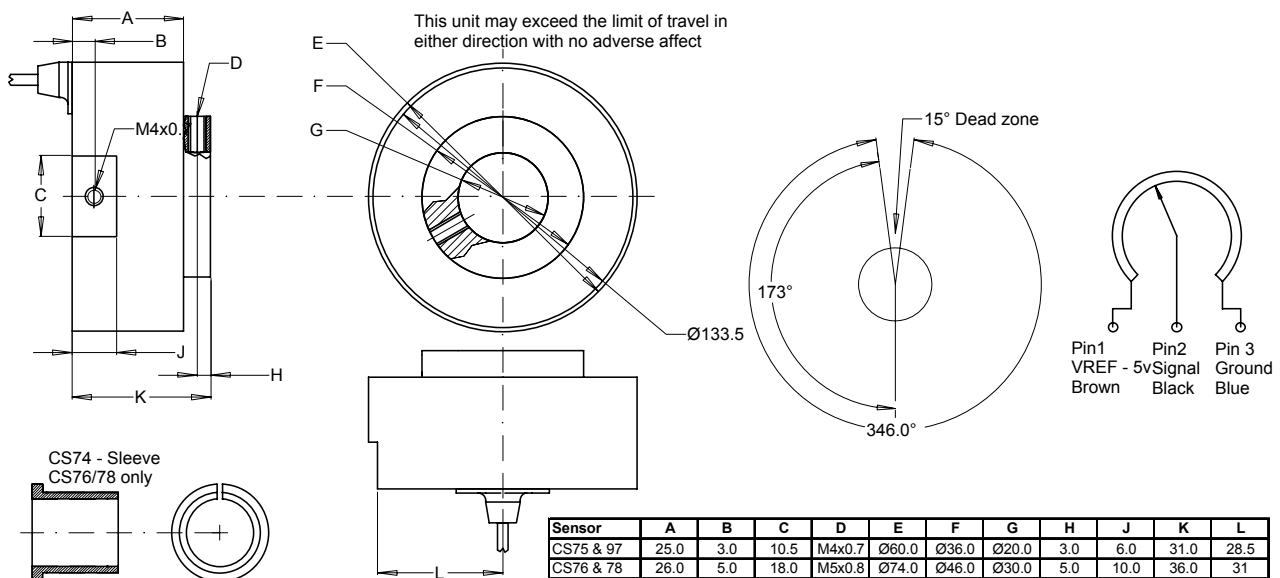
346° Steering column sensor



Description

This unique design allows universal installation over the on most types of racing car with up to 173 degrees of measurement in each direction. No end stops are fitted to enable the sensor to rotate out of range without damage or restriction.

The internal bore diameter of 20 / 30.0mm may be machined out where necessary, or alternatively reduced down to any size using the CS74 nylon sleeve which is supplied pre-machined to your specifications.(CS076 / 078 only)



Technical Data

Mounting hole ISO H9
Load limit on shaft..... 30 Nm
Nominal resistance 10 kohm
Linearity 0.25 %
Recommended wiper current < 0.1 uA
Power rating 0.5W @ 40 deg

Temp corr 20ppm/°C of voltage divider
Operating temperature..... -25 to 75 °C
Life expectancy 5.000.000 cycles
Sealed IP63
Housing Anodised aluminium

Ordering information

Part No.	Cable length	Connector	Description	Order Code
CS097	250mm	ASL6 06 05 PN HE	360 deg rotation steering sensor	23810510002
CS075	250mm	FGG OB 303 Lemo	360 deg rotation steering sensor	23810510001
CS076	250mm	ASL6 06 05 PN HE	360 deg rotation steering sensor - large	23810510003
CS078	250mm	FGG OB 303 Lemo	360 deg rotation steering sensor - large	23810510004
CS074	n/a	n/a	Nylon sleeve , 24 > 30mm	23813061501

For further details please contact

Competition Systems Ltd
Hyjuniper, Long Lane
Shaw, Berkshire,
RG14 2TA
England

Tel: +44 (0)8707 444666
Fax: +44 (0)8707 444888
www.competitionssystem.co.uk
mail@competitionssystem.co.uk

Electrical connections

Connector	1	2	3	4	5
Wire	Brown	Black	Blue		
FGG OB 303 Lemo	5V	signal	ground		
AS6 06 05 PN HE	5V	signal	ground	not used	not used

Alternative connectors available on request
