



## INJECTORS

# IWP

Pico Top Feed Racing Injector  
Up to 0.5 MPa - Up to 0.66 L/min

### Description

---

The IWP "Pico" top feed injector is a standard production component, tested and selected for racing applications.

The characteristics of the injector are a fast pulse response, high precision, high dynamic range and optimum fuel atomization. These are achieved by a high performance ON-OFF actuating electromagnet with opposing expansion poles that moves an internal injector valve on high-precision ground cylindrical slides, and a high precision nozzle.

The injector has a stainless steel body, a fuel-resistant plastic connector, martensitic stainless steel internal valve and an electromagnet with a low carbon content stainless steel armature.

The electrical connection to the control unit is via a Mini-Timer plastic plug.



### Main Features

---

- Pressure range ..... 0.3 to 0.5 MPa
- Static flow range ..... 0.33 to 0.66 L/min
- Driver current ..... 0.8 A
- Spray shape ..... single spray or twin jet

### Benefits

---

- Methanol
- Multihole spray shaping
- On off driven
- High precision
- Small dimension & weight

### Typical Applications

---

In professional circuit and rally applications  
Touring car

# INJECTORS

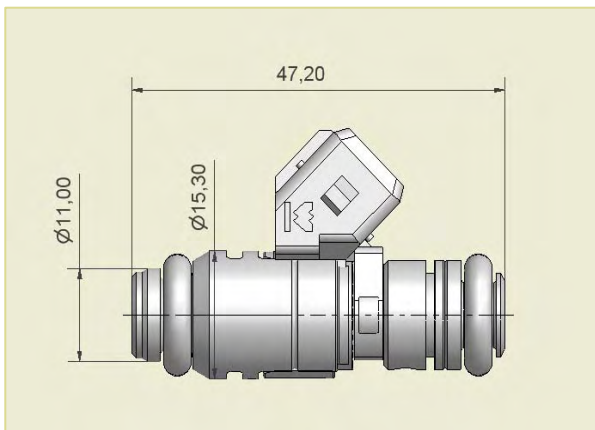
## IWP

Pico Top Feed Racing Injector  
Up to 0.5 MPa - Up to 0.66 L/min

### Technical Characteristics

Pressure range .....	0.3 to 0.5	MPa
Static flow range .....	0.33 to 0.66	L/min
Driver current .....	0.8	A
Spray type .....	multihole	
Spray shape .....	single spray or twin jet	
Power supply .....	8 to 16	V
Operating temperature range.....	-30 to 110	°C
Connector type.....	AMP Junior 2 ways minitimer	
Weight.....	35	g

### Dimensions



Dimensions in millimetres

Injector	IWP043	IWP063	IWP145	
Nominal pressure	500	500	500	kPa
Static flow rate	421.1	498.3	658	cm <sup>3</sup> /min
Spray shape	Single spray	Twin jet	Twin jet	

For further information, please contact:



**Competition Systems Ltd.**  
Westlea House  
Banbury Lane, Culworth  
Oxfordshire, UK

Tel. +44 (0)8707 444 666  
Fax +44 (0)8707 444 888  
mail@competitionsystems.co.uk  
http://www.competitionsystems.co.uk

April 2010  
rel. 01  
page 2 of 2

### Application Schematics

