



SENSORS

PRT 02/03/06

Air pressure transducers
105 to 250 kPa

Description

The PRT 02/03/06 series devices are high-accuracy and reliability analogue absolute pressure sensors.

Main Features

- Active devices are housed in hermetically sealed plastic protective casing
- Splash resistant to standard motorsport fluids
- Thermal compensation and noise reduction circuitry

Benefits

- Low cost

Typical Application

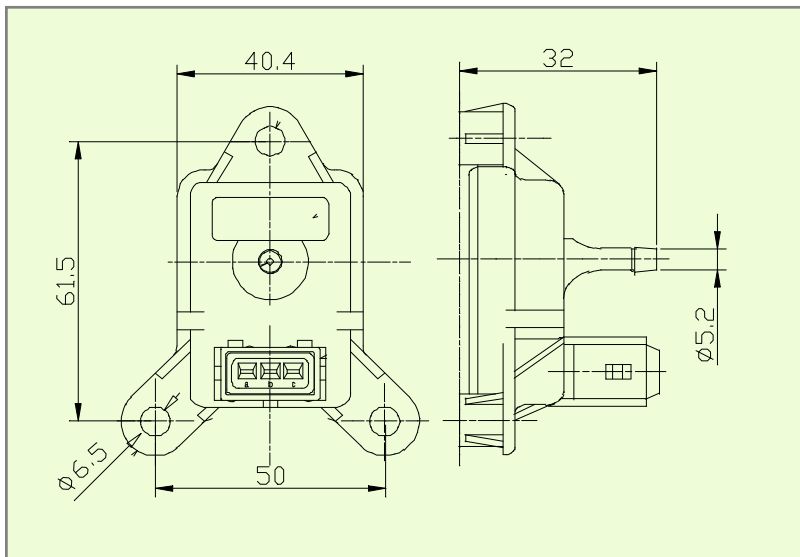
Manifold pressure measure



PRT 02/03/06

Air pressure transducers
105 to 250 kPa

Dimensions

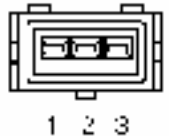


Technical Characteristics

| | | |
|---|--------------|--------------------|
| Power supply (± 0.5 V)..... | 5 | V |
| Null offset (5 V)..... | 0.25 | V |
| Full scale output (5 V)..... | 4.75 | V |
| Output impedance..... | less than 10 | Ω |
| Pressure ranges | | |
| PRT 02 | 200 | kPa |
| PRT 03 | 105 | kPa |
| PRT 06 | 250 | kPa |
| Operating temperature range..... | -40 to 125 | $^{\circ}\text{C}$ |
| Response time | less than 7 | ms |
| Accuracy (including non-linearity, hysteresis and repeatability) | 1 | % f.s.o |
| Overpressure | 200 | % |
| Weight..... | 30 | g |

Connector Pin Out

| PIN | Description |
|-----|-------------|
| 1 | + 5Vdc |
| 2 | GN |
| 3 | Signal |



For further information, please contact:



Competition Systems Ltd
Hyjuniper, Long Lane
Shaw, Berkshire
RG14 2TA, UK

Tel. +44 (0)8707 444 666
Fax +44 (0)8707 444 888
mail@competitionsystems.co.uk
http://www.competitionsystems.co.uk

May 2010
rel. 01
page 2 of 2