

# Temperature – TC08

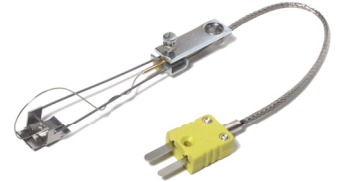
Brake disc temperature - Thermocouple, Type 'K'



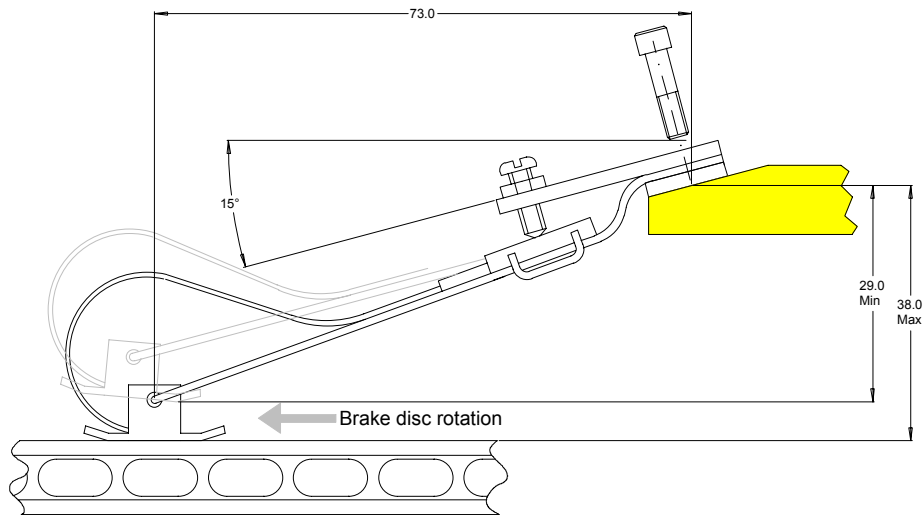
## Description

Rubbing thermocouple designed specifically to monitor brake disc temperatures, the design features a fully floating stainless steel shoe onto which a miniature type K thermocouple is bonded.

The spring pressure setting may be adjusted by means of the set screw and lock nut. Grounded hot junction available on request.



## Dimensions



## Technical Data

Electrical connection ..... Miniature male K  
Output ..... K  
Temperature range..... -50 > 1150 °C  
Construction ..... Stainless steel

Rate of change ..... Up to 85 deg/sec  
Hot junction ..... Un-grounded  
Extension lead ..... Stainless steel braid 150 mm  
Mounting hole ..... Ø5 mm

## Ordering information

Part No.	Cable length	Connector	Description	Order code
TC08	150mm	Mini TCK	Brake disc thermocouple	83813000500

MM Competition Systems Ltd Hyjuniper, Long Lane Shaw, Berkshire, RG14 2TA England	For further details please contact	Tel: +44 (0)8707 444666 Fax: +44 (0)8707 444888 www.mmcompsys.com mail@mmcompsys.com
---	------------------------------------	---