



SENSORS

WTS 05

3 k Ω Water Temperature Sensor

Description

The WTS 05 is a low cost analogue temperature sensor with an NTC sensing element.

Main Features

- Mini-Timer connector
- Fast response time

Benefits

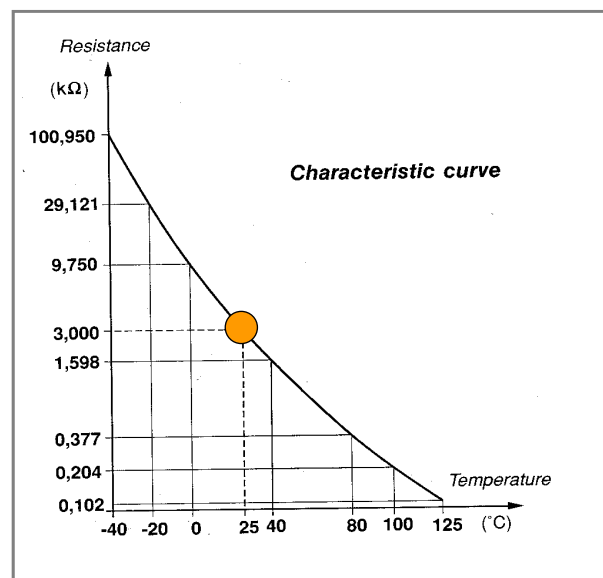
- High signal level
- Low cost

Typical Applications

Touring cars water-oil temperature measurement



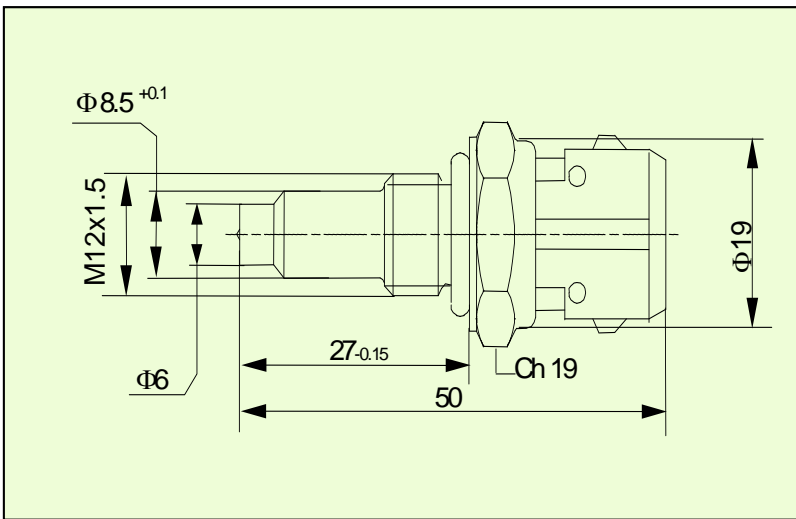
Typical Performance



WTS 05

3 kΩ Water Temperature Sensor

Dimensions

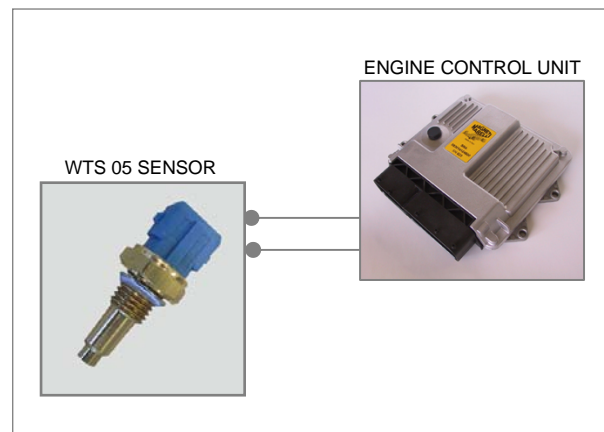


Dimensions in millimetres

Technical Characteristics

Resistance (@ 25 °C).....	3	kΩ
Input voltage	5	V
Accuracy from nominal values		
@ -40 °C to 125 °C.....	5	%
Connector (2 ways).....	Mini-Timer	
Weight.....	26	g

Application Schematics



For further information, please contact:



Competition Systems Ltd
Hyjuniper, Long Lane
Shaw, Berkshire
RG14 2TA, UK

Tel. +44 (0)8707 444 666
Fax +44 (0)8707 444 888
mail@competitionsystems.co.uk
http://www.competitionsystems.co.uk

May 2010
rel. 01
page 2 of 2