

Position - Rotary

PF2C throttle position sensor



Description

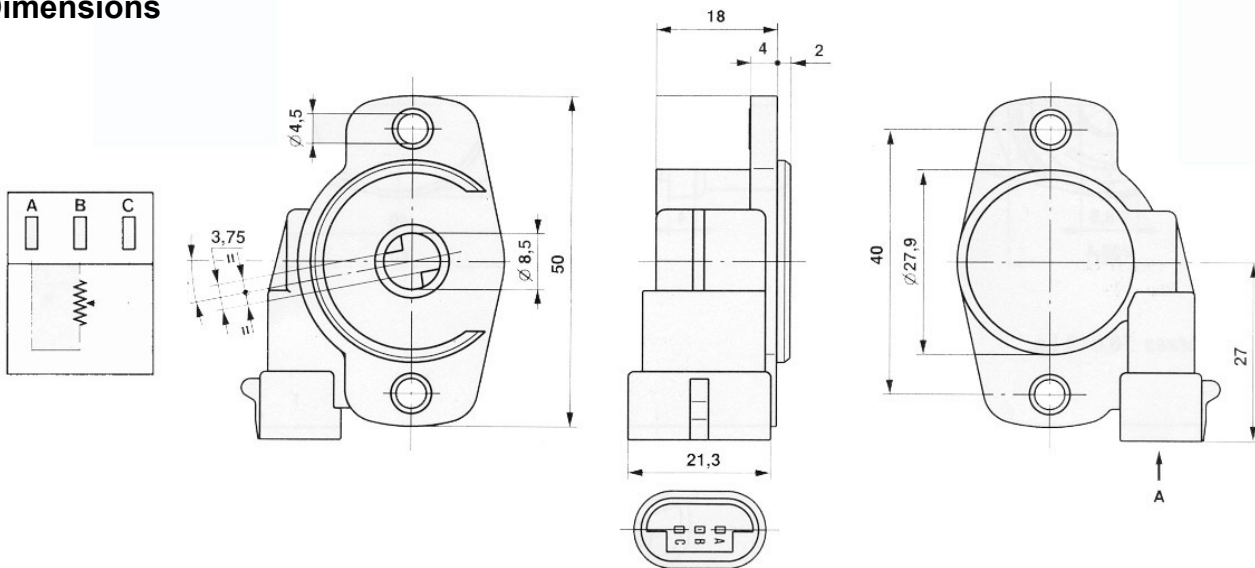
Automotive specification rotary potentiometer housed in a fibreglass reinforced PBT casing. Output drive direction is 'clockwise' when viewed from the mounting face of the sensor

Typical applications are for throttle position measurement within a low cost or low volume serial production engine.

Drive method – D shaft



Dimensions



Technical Data

Housing PBT
 Power supply 5 Vdc
 Connector Metripack 3 way
 Mechanical travel 122° +/- 8°
 Mounting holes spacing 40 mm
 Resistance 1.2 Kohm
 Usable electrical travel 105° +/- 3°

Accuracy +/- 3 %
 Temperature range -30 > +125 °c
 Vibration 20g
 In the range 60 > 1000Hz

Ordering information

Part No.	Description	Order Code
PF2C	Rotary throttle potentiometer	219244240500
CS14	3 way Packard connector kit	

For further details please contact	
Competition Systems Ltd Hyjuniper, Long Lane Shaw, Berkshire, RG14 2TA England	Tel: +44 (0)8707 444666 Fax: +44 (0)8707 444888 www.competitionsystems.co.uk mail@competitionsystems.co.uk